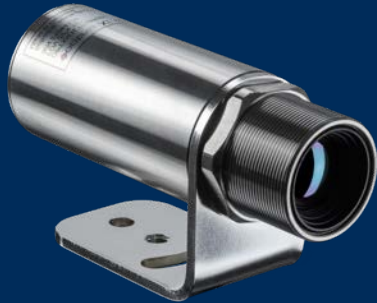


**Compact spot finder  
IR camera**



**Features:**

- Industrial imager with 384 x 240 pixels for exact temperature measurement of -20 °C ... 900 °C
- Small sized rugged camera with motorized focus
- Autonomous operation with auto hot spot finder and direct analog or alarm output – ideal for condition monitoring and OEM use
- Optional stackable industrial process interface with up to 9 analog or alarm outputs
- Software with extensive analysis features and web server capability included



*Xi 410 infrared imagers for remote condition monitoring*

**Technical Specifications**

Optical resolution	384 x 240 pixels	
Detector	FPA, uncooled (17 µm pitch)	
Spectral range	8 – 14 µm	
Temperature ranges	-20 ... 100 °C, 0 ... 250 °C, (20) 150 ... 900 °C <sup>1)</sup> , 200 ... 1500 °C <sup>2)</sup> (option)	
Optical resolution / Frame rate	<b>Ethernet:</b> 384 x 240 pixels @ 25 Hz <b>USB:</b> 384 x 240 pixels @ 4 Hz	<b>autonomous operation:</b> 384 x 240 pixels @ 1.5 Hz
Optics (FOV)	18° x 12° (f = 20) 29° x 18° (f = 13) 53° x 31° (f = 8) 80° x 44° (f = 6)	
Focus	Manual motor focus	
Optical resolution (D:S)	390:1 (18° optics)	
Thermal sensitivity (NETD)	80 mK	
Accuracy	±2 °C or ±2 %, whichever is greater	
PC interface	Fast Ethernet / USB 2.0	
Direct Output / Input	1x analog output (0/4-20 mA) / 1x input (analog or digital); electrically isolated	
Process interface (PIF), industrial	3x analog outputs (0/4–20 mA or 0–10 V) and 3x alarm outputs (relays) / 3x inputs (analog or digital) / fail-safe (LED and relay) stackable up to 3 PIFs; electrically isolated	
Cable length	<b>Ethernet:</b> 1 m (standard), 5 m, 10 m, 20 m (up to 100 m) <b>USB:</b> 1 m, 3 m, 5 m	
Ambient temperature	0 °C ... 50 °C	
Enclosure (size / rating)	Ø 36 mm x 100 mm (M30x1 thread) / IP 67 (NEMA 4)	
Weight (without mounting bracket)	216 - 220 g, depending on lens	
Shock <sup>3)</sup> / Vibration <sup>3)</sup>	IEC 60068-2-27 (25G and 50G) / IEC 60068-2-6 (sinus shaped), IEC 60068-2-64 (broadband noise)	
Power supply	5 - 30 V DC / PoE / USB	
Scope of supply	<ul style="list-style-type: none"> <li>• Process imager Xi 410</li> <li>• Ethernet/ PoE cable (1 m)/ USB cable (1 m)</li> <li>• IN/ OUT cable incl. terminal block (1 m)</li> <li>• Mounting bracket with tripod thread, mounting nut</li> <li>• Software package optris PIX Connect</li> </ul>	

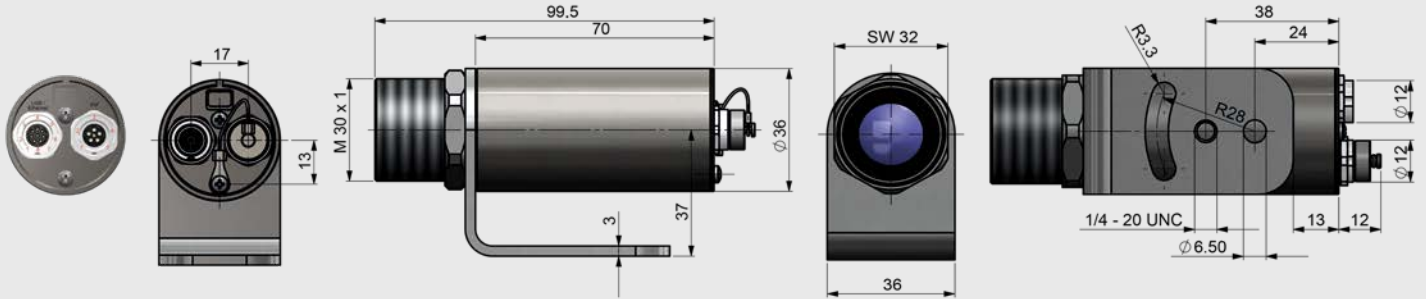
<sup>1)</sup> Accuracy statement effective from 150 °C

<sup>2)</sup> If this option is ordered the (20)150 ... 900 °C range is not available

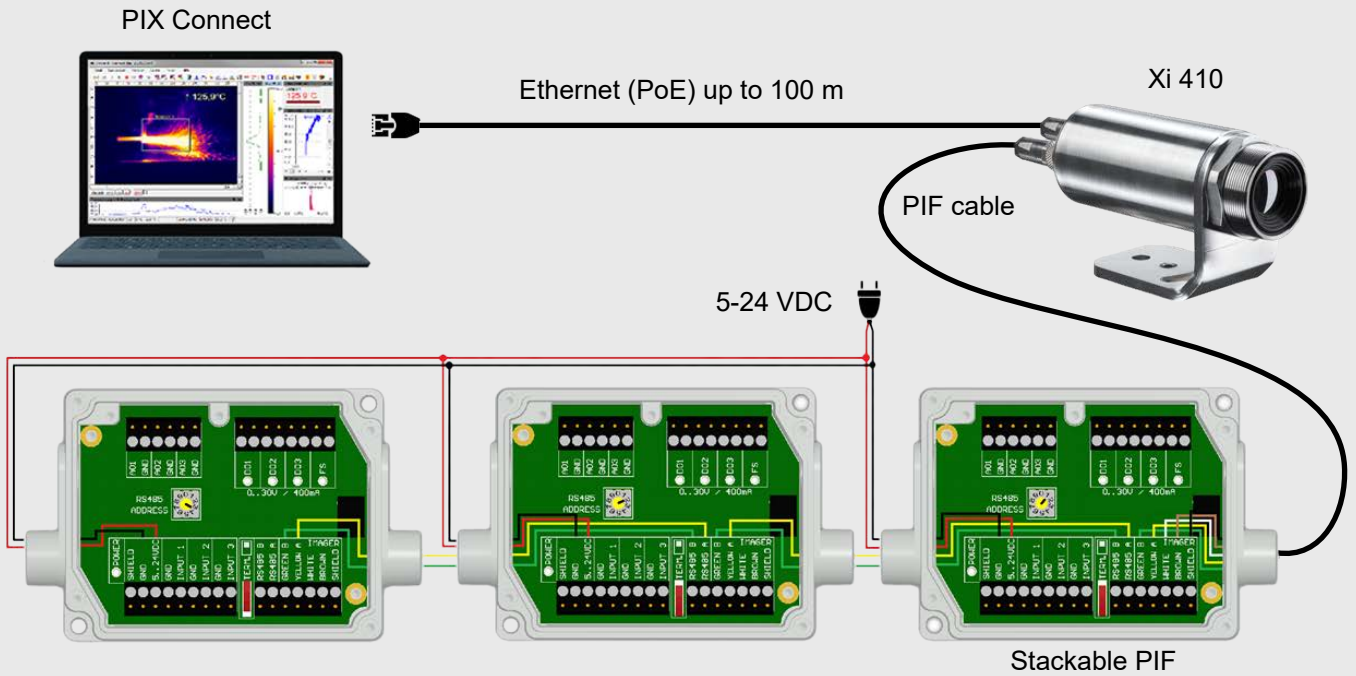
<sup>3)</sup> For more details see operator's manual

# optris Xi 410

## Dimensions in mm



## Operation with PIX Connect software and 3 stackable PIFs



## Autonomous operation (without PC) with up to 3 analog outputs/ alarm outputs

